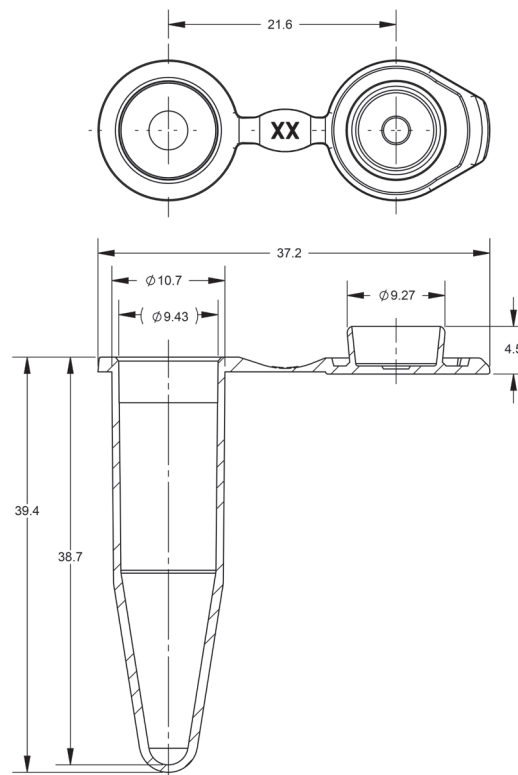


# Micro tube, 1.5 ml

## 780420



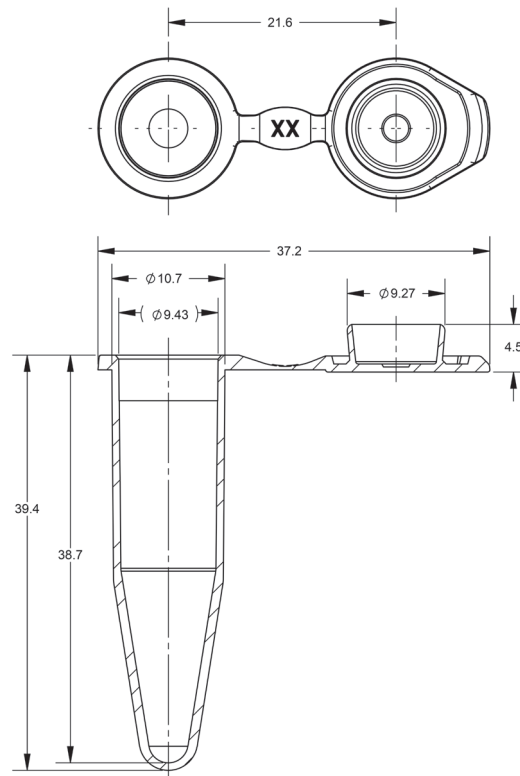
Dimensions in mm

<b>Volume</b>	1.5 ml
<b>Graduation</b>	subdivisions for approximate volume determination
<b>Material</b>	PP
<b>Color</b>	transparent
<b>Diameter</b>	9.4 mm
<b>Height</b>	39.4 mm
<b>Cap</b>	attached, flat cap
<b>Quality</b>	Cleanroom class 8 according to ISO 14 644-1, Free of DNA*, RNase and DNase, Free of pyrogens, according to LAL test **, Free of PCR inhibitors



# Micro tube, 1.5 ml

## 780421



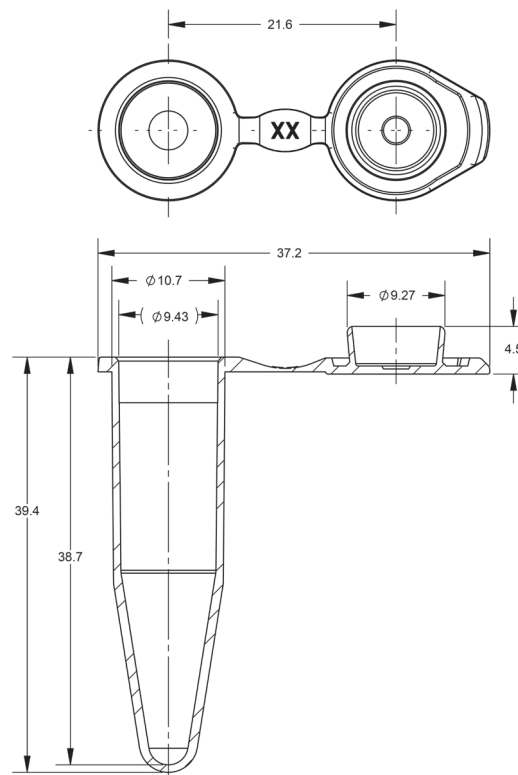
Dimensions in mm

<b>Volume</b>	1.5 ml
<b>Graduation</b>	subdivisions for approximate volume determination
<b>Material</b>	PP
<b>Color</b>	yellow
<b>Diameter</b>	9.4 mm
<b>Height</b>	39.4 mm
<b>Cap</b>	attached, flat cap
<b>Quality</b>	Cleanroom class 8 according to ISO 14 644-1, Free of DNA*, RNase and DNase, Free of pyrogens, according to LAL test **, Free of PCR inhibitors



# Micro tube, 1.5 ml

## 780422



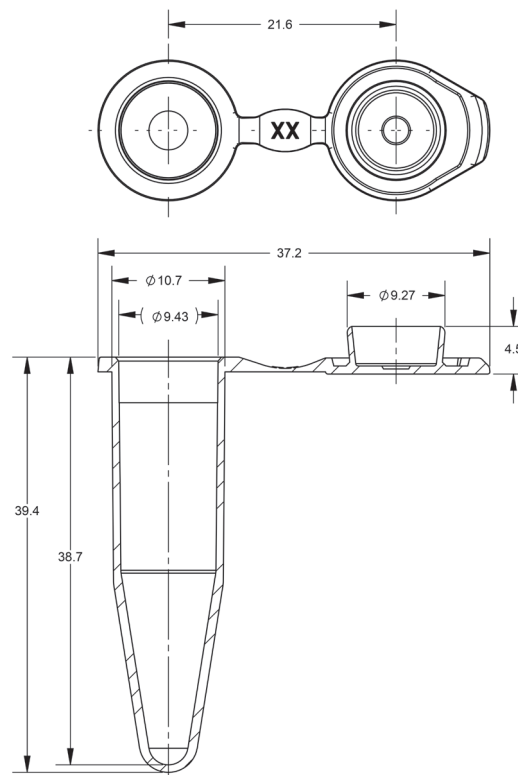
Dimensions in mm

<b>Volume</b>	1.5 ml
<b>Graduation</b>	subdivisions for approximate volume determination
<b>Material</b>	PP
<b>Color</b>	blue
<b>Diameter</b>	9.4 mm
<b>Height</b>	39.4 mm
<b>Cap</b>	attached, flat cap
<b>Quality</b>	Cleanroom class 8 according to ISO 14 644-1, Free of DNA*, RNase and DNase, Free of pyrogens, according to LAL test **, Free of PCR inhibitors



# Micro tube, 1.5 ml

## 780423



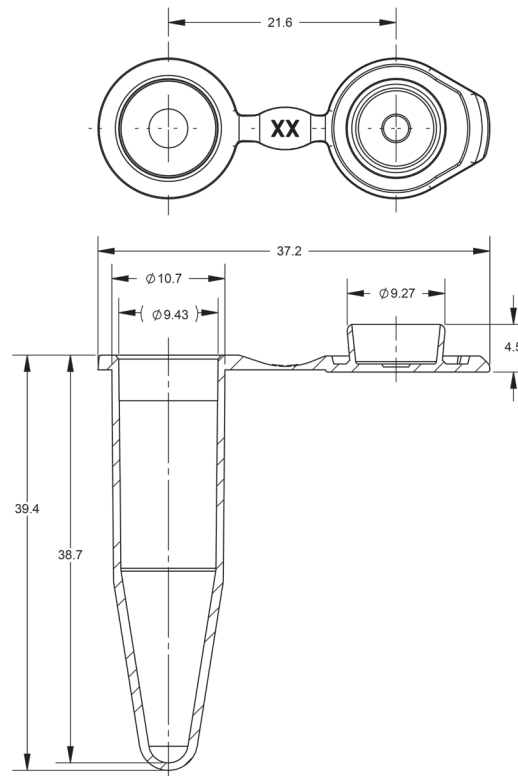
Dimensions in mm

<b>Volume</b>	1.5 ml
<b>Graduation</b>	subdivisions for approximate volume determination
<b>Material</b>	PP
<b>Color</b>	green
<b>Diameter</b>	9.4 mm
<b>Height</b>	39.4 mm
<b>Cap</b>	attached, flat cap
<b>Quality</b>	Cleanroom class 8 according to ISO 14 644-1, Free of DNA*, RNase and DNase, Free of pyrogens, according to LAL test **, Free of PCR inhibitors



# Micro tube, 1.5 ml

## 780424



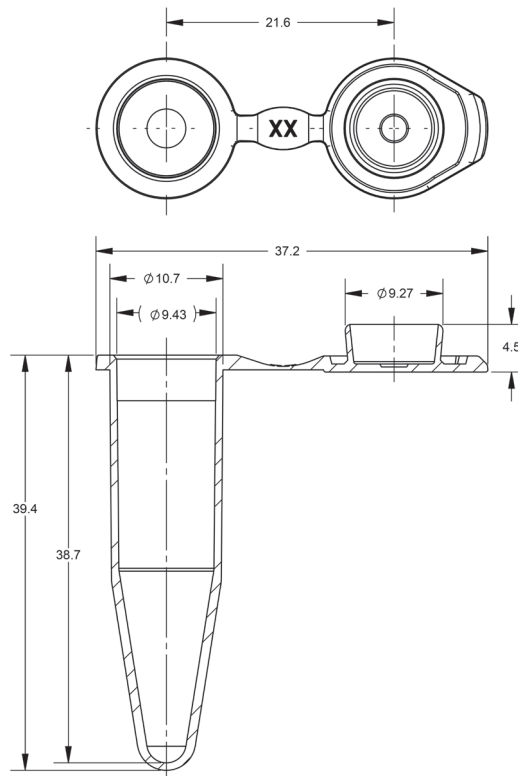
Dimensions in mm

<b>Volume</b>	1.5 ml
<b>Graduation</b>	subdivisions for approximate volume determination
<b>Material</b>	PP
<b>Color</b>	orange
<b>Diameter</b>	9.4 mm
<b>Height</b>	39.4 mm
<b>Cap</b>	attached, flat cap
<b>Quality</b>	Cleanroom class 8 according to ISO 14 644-1, Free of DNA*, RNase and DNase, Free of pyrogens, according to LAL test **, Free of PCR inhibitors



# Micro tube, 1.5 ml

## 780425



Dimensions in mm

<b>Volume</b>	1.5 ml
<b>Graduation</b>	subdivisions for approximate volume determination
<b>Material</b>	PP
<b>Color</b>	amber
<b>Diameter</b>	9.4 mm
<b>Height</b>	39.4 mm
<b>Cap</b>	attached, flat cap
<b>Quality</b>	Cleanroom class 8 according to ISO 14 644-1, Free of DNA*, RNase and DNase, Free of pyrogens, according to LAL test **, Free of PCR inhibitors

